

Carrier
Transicold
Compressor

05K



Service
Parts List



TRANSICOLD

Service Parts List MODEL 05K COMPRESSOR

CONTENTS

Introduction	i
Ordering Instructions	i
General Notes	i
1. Tools/Oils/Fittings	1
2. Gasket Set	2
3. Compressors	3
4. Cylinder Head (4 Cylinder)	4
5. Cylinder Head and Service Valves (2 Cylinder)	5
6. Service Valves (4 Cylinder)	6
7. Shaft Seal	7
8. Valve Plate Assembly	8
9. Bearing Head and Oil Pump	10
10. Unloaders	12
11. Crankshaft, Rod and Piston	14
12. Crankcase	15
13. Clutch Assembly (Bus & Rail)	16
14. Pressure Switches (Bus & Rail)	16



Carrier

A United Technologies Company

05K

INTRODUCTION

This parts list identifies service replacement parts for Models 05K Compressors listed in the Model Chart below.

Model Chart

MODELS	PART NO.	REMARKS
05K-12	18-60000-04RM	12 cfm – 2 Cylinders – Truck
05K-12	18-60000-06RM	12 cfm – 2 Cylinders – Bus & Rail
05K-24	18-00056-100RM	24 cfm – 4 Cylinders* – Bus & Rail
05K-24	18-00057-23RM	24 cfm – 4 Cylinders* – Optima
05K-24	18-00063-31	24 cfm – 4 Cylinders (NO Unloader) – R-404A
05K-24	17-44730-00RM	24 cfm – 4 Cylinders (NO Unloader) – R-22
*With Plugged Head For Hot Gas Bypass Unloader		

ORDERING INSTRUCTIONS

All orders and inquiries for parts must include:

- Unit Serial Number
- Part No.
- Description of Part
- Quantity Required

Address all correspondence for parts to the following address:

CARRIER TRANSICOLD DIVISION
Replacement Components Group, TR-20
P.O. Box 4805, Syracuse, NY 13221.
or
Fax to: (315) 432-3778

GENERAL NOTES

To find replacement parts consult table of contents, and turn to the appropriate page for illustrated breakdown of replacement parts. The following letter designations are used to classify parts throughout this list.

A/R *As Required*

CRES *Corrosion Resistant Steel* – 300 Series unless otherwise specified.

NS *Not Shown* in the illustration.

NSS *Not Sold Separately* – order next higher assembly or kit.

PL *Purchase Locally.*

SV Suffix SV added to part number designates service replacement part.

05K

ITEM	PART NO.	DESCRIPTION	QTY
1. TOOLS /OILS / FITTINGS			
NS	07-00219-00	Wrench, Compressor Sight Glass	
NS	07-00223-00	Pliers, Compressor Unloader Ring	
NS	07-00240-01	Wrench, Spanner (for Housing Mounted Clutch)	
NS	07-00241-00	Rotor Installation Tool (for Housing Mounted Clutch)	
NS	07-00242-01	Bearing Retaining Nut Socket (3.5") (for Housing Mounted Clutch)	
NS	07-00242-02	Bearing Retaining Nut Socket (3") (for Housing Mounted Clutch)	
NS	07-00260-00	Acid Test Kit, Mineral oils	
NS	07-00337-00	Acid Test Kit, POE oils	
NS	07-00265-01	Totaltest Kit	
NS	07-00266-00	Replacement Tubes for Totaltest Kit	
NS	58-04165-00	Filter, Felt (Suction Sock for System Clean Up)	
NS	07-00275-00	Oil, Compressor – for "R-12, R-22 & R-502" refrigerant (1 gallon)	
NS	07-00317-00	Oil, Compressor POE – for "R-134a & 404A" refrigerant (1 gallon)	
NS	07-00316-00	Meter, Refractometer for compressor oil	
NS	17-55013-00	Kit, Unloader Valve Blank-off plate (hot gas by pass)	
NS	17-21056-00	Kit, Unloader Valve Blank-off plate (suction cut out)	
NS	17-13008-00	Kit, Service Valve Pad Blank off 2 bolt 1-5/8 C/L	
NS	17-13004-00	Kit, Service Valve Pad Blank off 2 bolt 1-3/4 C/L	
NS	58-00869-00	Filter, Felt (Suction Sock for System Clean Up)	
NS	17-13010-00	Access Port W/Shrader, Male 1/8 NPT X Male 1/4 Flare Access Port	
NS	06DA403844	Access Port W/Shrader Male 1/4 NPT X Male 1/4 Flare Access Port	
NS	OTBO889	Access Port W/Shrader Male 7/16-20 O-Ring X Male 1/4 Flare Access Port	
NS	DD19CA061	CAP, 1/4 FLARE	
NS	07-00319-00	Bushing, Male 1/4 NPT X Female 7/16 O-Ring	
NS	40-00528-02	Bushing, Male 7/16-20 O-Ring X Female 1/4 NPT	
NS	40-00528-00	Bushing, Male 9/16-18 O-Ring X Female 1/4 NPT	
NS	40-00121-01	Bushing, 1/4 NPT x 1/8 NPT	
NS	40-00129-02	Elbow, Street 90 degree 1/4 MPT x 1/4 FPT	
NS	40-00102-03	Elbow, 1/4 Flare x 1/8 NPT	
NS	40-01166-00	Elbow, 90 degree Male 9/16-18 O-Ring X Female 1/4 NPT	
NS	40-01166-01	Elbow, 90 degree Male 7/16-20 O-Ring X Female 1/4 NPT	
NS	17-44037-00	Plug, 7/16-20 O-Ring	
NS	17-44706-00	Plug, 9/16-18 O-Ring	
NS	79-00965-00	Tee, Snubber 1/8 x 1/8 x 1/8	

05K

2. GASKET SET

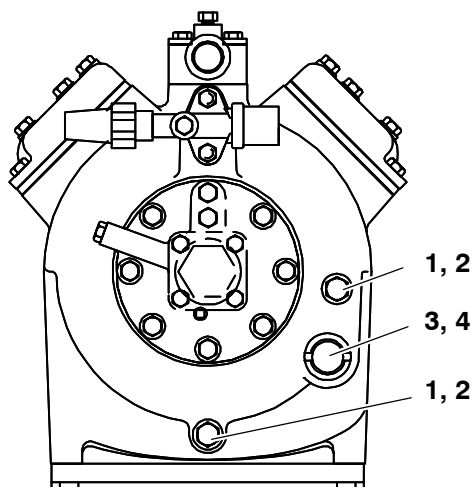
NOTE: REFER TO APPROPRIATE SECTION FOR ILLUSTRATION

SECTION	ITEM	PART NO.	DESCRIPTION	QTY
NS	NS	17-44707-00	Gasket Set – Includes:	1
3.	4	17-44021-00	Gasket, Sight Glass	1
5.	10	17-10811-05	Gasket, Suction Service Valve	1
5.	6	17-21003-00	Gasket, Discharge Service Valve	1
9.	7	17-44022-00	Gasket, Oil Pump Bearing Head	1
10.	6	17-40104-07	Gasket, Unloader Valve	1
8.	11	17-44123-00	Gasket, Center Cylinder Head	2
8.	12	17-44124-00	Gasket, Side Cylinder Head (No Unloader)	1
8.	12B	17-44126-00	Gasket, Side Cylinder Head (Hot Gas Bypass Unloader)	1
7.	6	17-44713-00	Gasket, Seal Plate (Shaft)	1
8.	6	17-55002-00	Gasket, Valve Plate	2
12.	6	17-44712-00	O-Ring	1
12.	1	17-44023-00	Gasket, Front Cover 2 Cylinder	1
12.	1	17-44021-00	Gasket, Front Cover 4 Cylinder	1

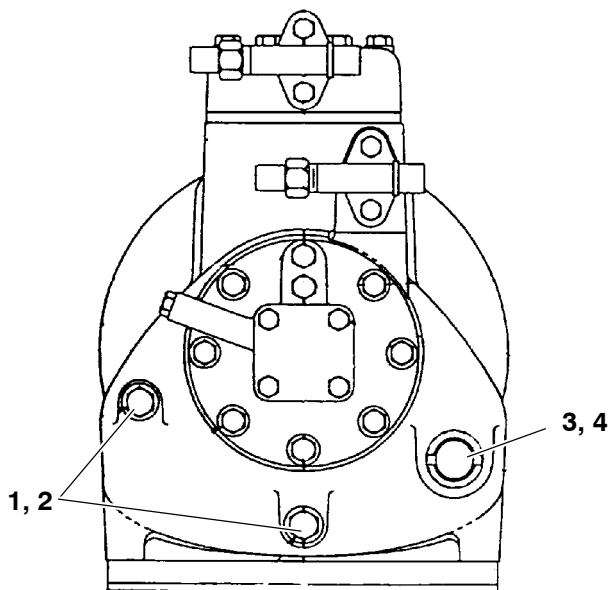
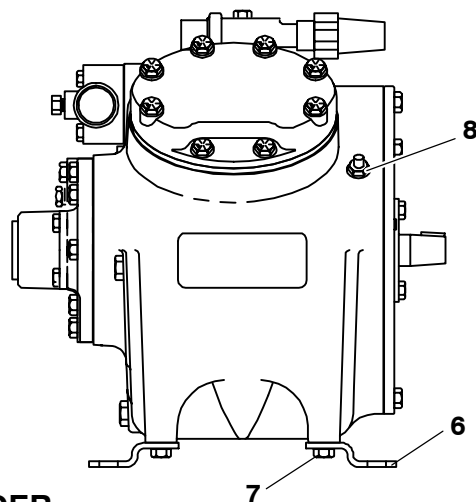
05K

ITEM	PART NO.	DESCRIPTION	QTY
------	----------	-------------	-----

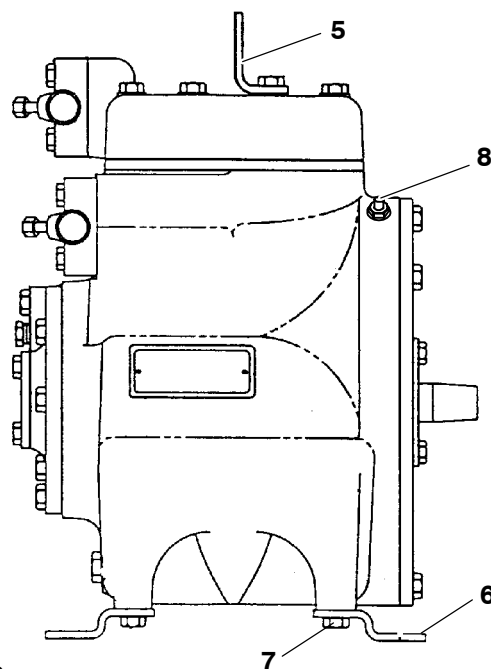
3. COMPRESSORS



4 CYLINDER



2 CYLINDER



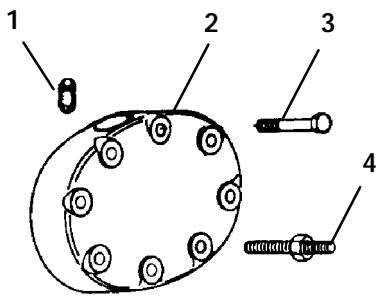
1	17-44037-00	Plug, O-Ring (7/16-20) – Includes:	3
2	42-00243-07	O-Ring	1
1	17-44706-00	Plug, O-Ring (9/16-18) – Includes:	3
2	42-00243-05	O-Ring	1
3	17-10218-00	Sight Glass	1
4	17-44021-00	Gasket, Sight Glass	1
5	17-44701-00	Lug, Lifting – 2 Cylinder	1
NS	17-44726-00	Lug, Lifting – 4 Cylinder	1
6	17-40036-00	Foot	2
7	PL	Capscrew, Hex Head 1/2-13 x 1" lg	4
8	O6DA403-844	Valve, Schrader (1/4 npt x 1/4 Flare)	1
8	OTB0889	Valve, Schrader (7/16 -20 x 1/4 Flare)	1
NS	DD-19CA061	Cap, Knurled for 1/4" flare	1

05K

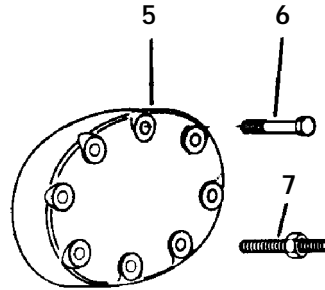
ITEM	PART NO.	DESCRIPTION	QTY
------	----------	-------------	-----

4. CYLINDER HEAD (4 CYLINDER)

STANDARD HEADS

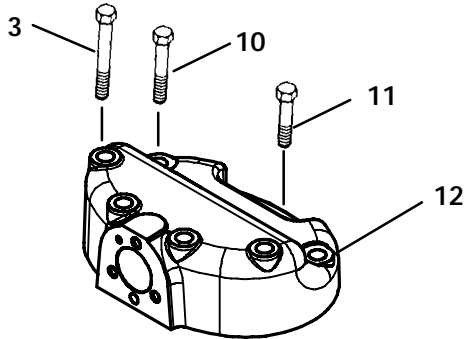


WITH UNLOADER

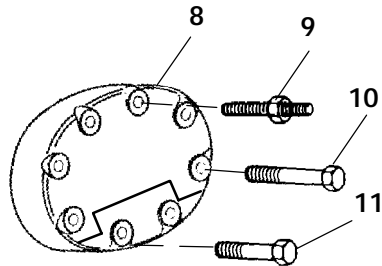


NO UNLOADER

SHAVED HEADS



WITH UNLOADER



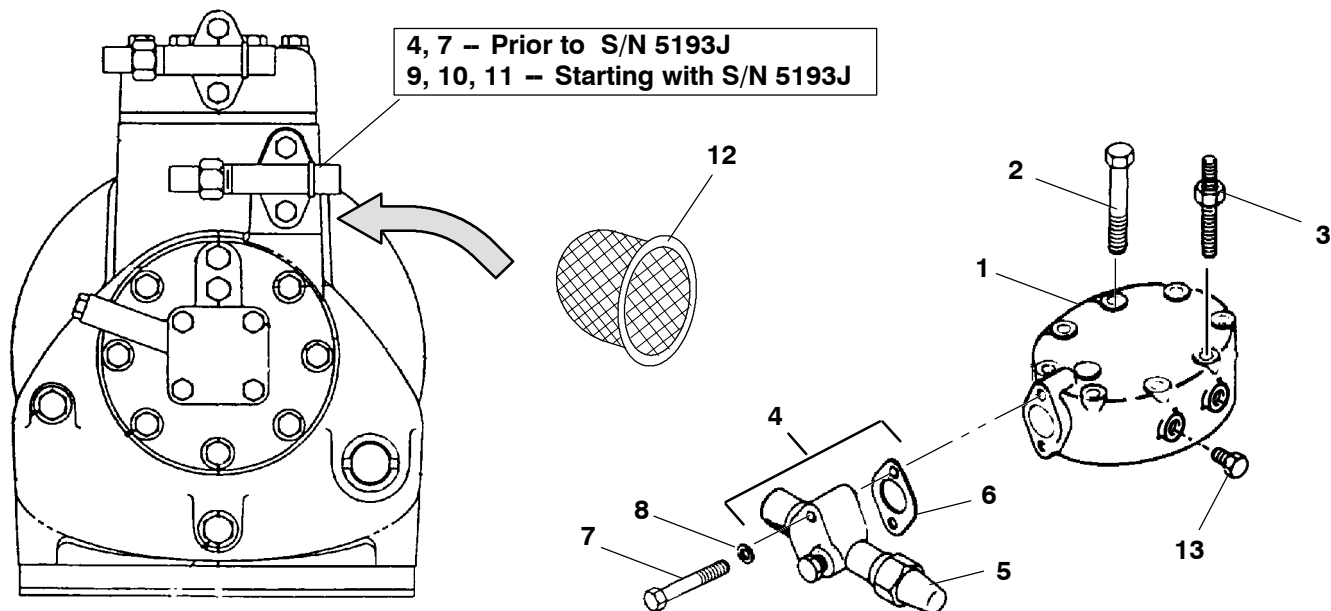
NO UNLOADER

1	17-40108-00	Strainer	1
2	17-21041-00	Cylinder Head (Standard -- Suction Cutoff Unloader)	1
2	17-40104-05	Cylinder Head (Standard -- Hot Gas Bypass Unloader)	1
3	17-40018-05	Capscrew, Hex Head 3/8-16 x 3l lg -- SAE Grade 8	A/R
4	17-44017-01	Stud, 3/8-16 x 3-3/4l lg	A/R
5	17-44731-00	Cylinder Head (Standard -- No Unloader)	1
6	17-44117-00	Capscrew, Hex Head, 3/8-16 x 2-1/4l lg -- SAE Grade 8	A/R
7	17-57010-00	Stud, 3/8-16 x 2-1/2l lg	A/R
8	17-21040-00	Cylinder Head (Shaved -- No Unloader)	A/R
9	17-44732-00	Stud, 3/8-16 x 2 lg	A/R
10	17-40034-05	Capscrew, Hex Head 3/8-16 x 2.00l lg -- SAE Grade 8	A/R
11	17-40037-05	Capscrew, Hex Head 3/8-16 x 1.00l lg -- SAE Grade 8	A/R
12	17-44084-00	Cylinder head (Shaved -- Hot Gas Bypass Unloader)	A/R

05K

ITEM	PART NO.	DESCRIPTION	QTY
------	----------	-------------	-----

5. CYLINDER HEAD AND SERVICE VALVES (2 CYLINDER)

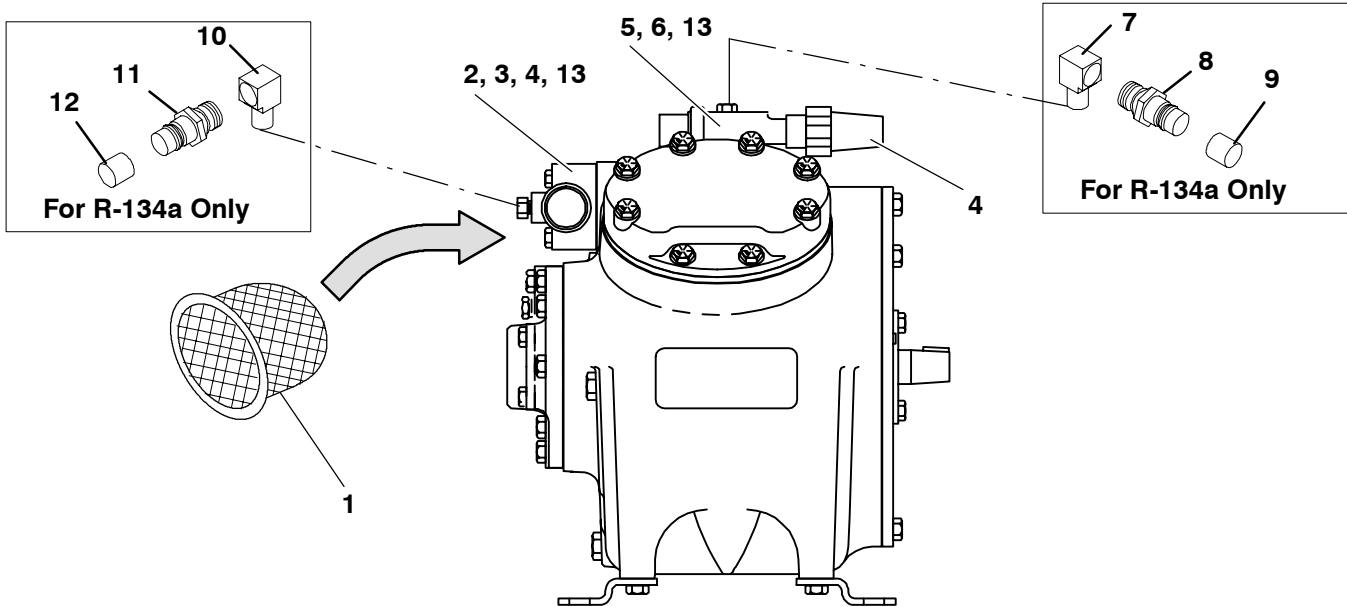


1	17-44700-00	Cylinder Head – Center Bank	1
2	17-40018-05	Capscrew, Hex Head 3/8-16 x 3.00" lg – SAE Grade 8	6
3	17-44733-00	Stud, 3/8-16 x 3 lg	2
4	14-01042-01	Valve, Discharge Service (7/8 OD) – Includes:	1
4	14-01042-05	Valve, Discharge Service (3/4 OD) – Includes:	1
5	17-10812-00	Cap, Service Valve (Plastic) – Includes:	1
6	17-21003-00	Gasket, Service Valve	1
5	17-10806-10	Cap, Service Valve (Brass)	1
7	17-13002-00	Capscrew, Hex Head 5/16-18 x 1.25" lg – SAE Grade 8	2
8	17-40013-00	Gasket, Capscrew (5/16)	2
9	14-01042-04	Valve, Suction Service 7/8 OD – Includes:	1
10	17-10811-05	Gasket, Service Valve	1
5	17-10812-00	Cap, Service Valve (Plastic)	1
11	17-57019-05	Capscrew, Hex Head 5/16-18 x 1.75" lg – SAE Grade 8	2
12	17-44716-00	Strainer, Suction (Starting with S/N 5193J_____)	1
13	PL	Pipe Plug 1/4-18 npt	2
NS	17-13022-00	Packing, Service Valve Stem	1

05K

ITEM	PART NO.	DESCRIPTION	QTY
------	----------	-------------	-----

6. SERVICE VALVES (4 CYLINDER)

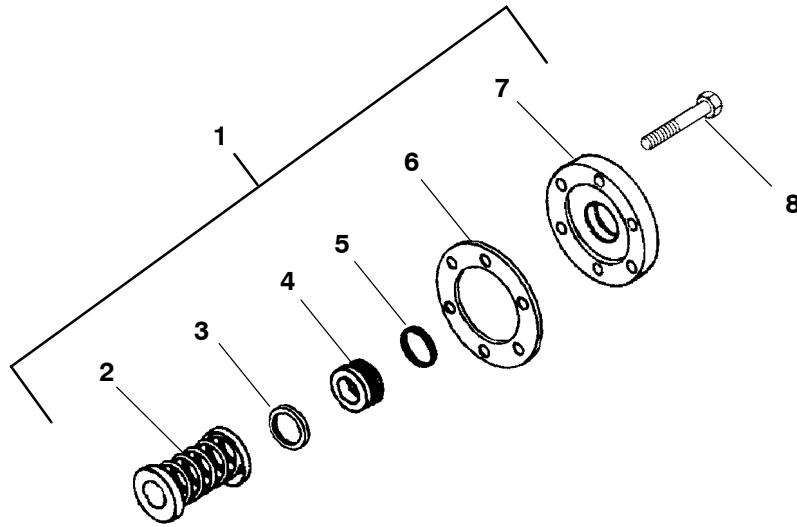


1	17-44716-00	Strainer, Suction	1
2	14-01042-04	Valve, Suction Service 7/8" ODS – Includes:	1
2	14-01042-03	Valve, Suction Service 1-1/8" ODS – Includes:	1
3	17-10811-05	Gasket, Service Valve	1
4	17-10812-00	Cap, Service Valve (Plastic)	1
5	17-13000-01	Valve, Discharge Service 3/4" ODS – Includes:	1
5	14-01042-01	Valve, Discharge Service 7/8" ODS – Includes:	1
6	17-21003-00	Gasket, Service Valve	1
4	17-10812-00	Cap, Service Valve (Plastic)	1
7	40-00524-01	Elbow, 1/8 NPTF x M15 – Brass	1
8	40-00520-01	Coupling, M15 – Brass – Includes:	1
9	40-00520-03	Cap, Service Port	1
10	40-00524-00	Elbow, 1/4 NPTF x M13 – Brass	1
11	40-00520-00	Coupling, M13 – Brass – Includes:	1
12	40-00520-02	Cap, Service Port	1
13	17-40012-00	Capscrew, Hex Head 5/16-18 x 2 lg – SAE Grade 8	2

05K

ITEM	PART NO.	DESCRIPTION	QTY
------	----------	-------------	-----

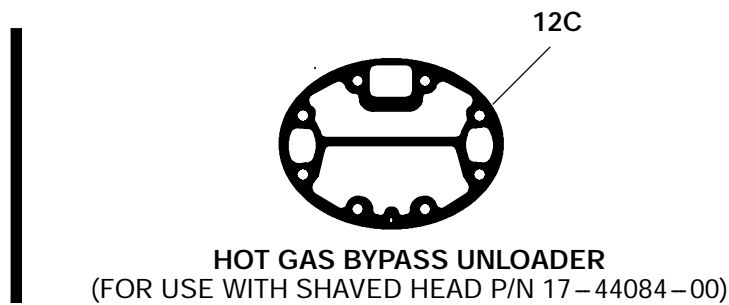
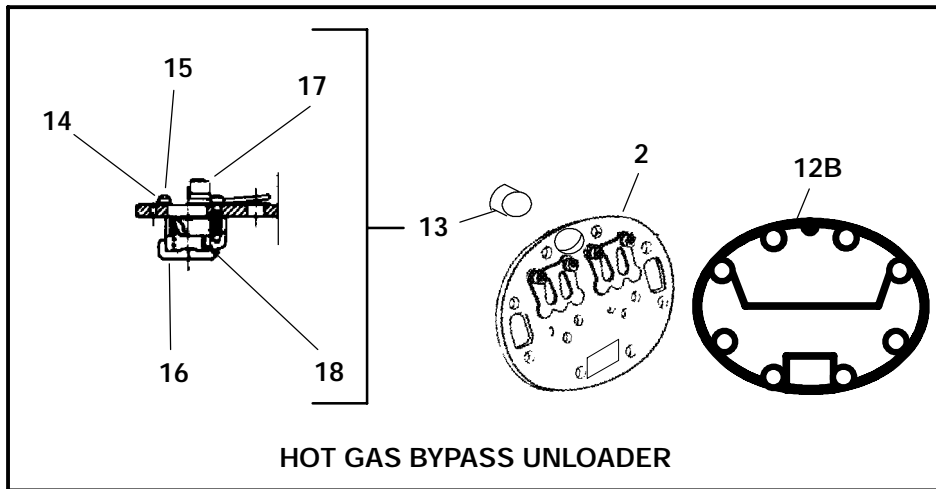
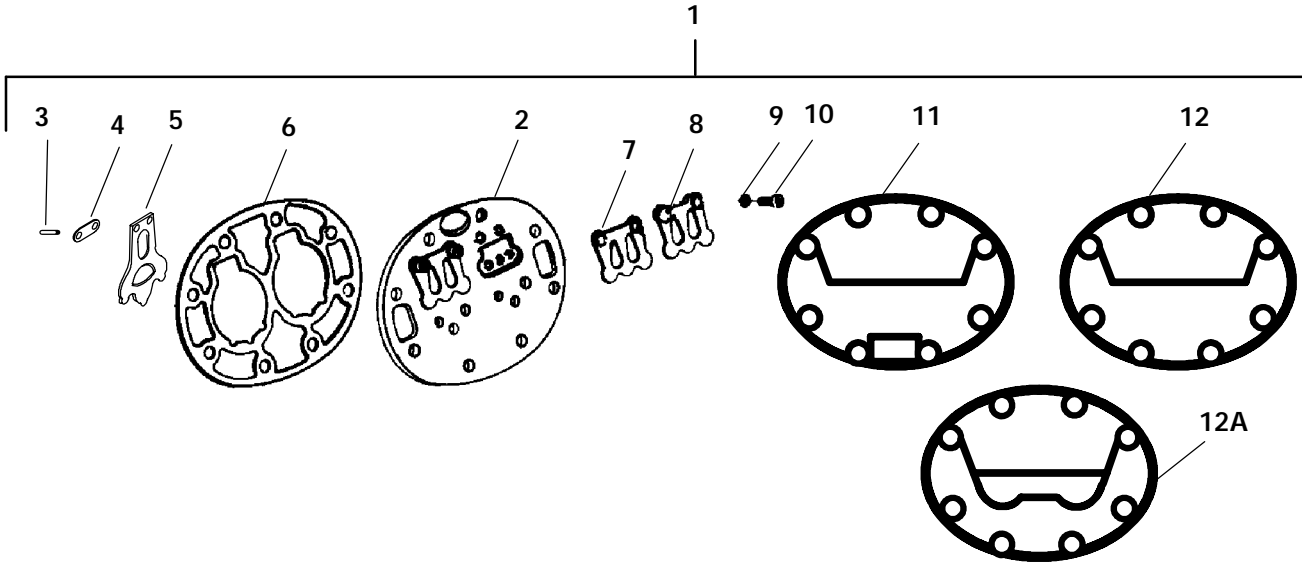
7. SHAFT SEAL



1	17-44740-00	Seal Assembly, Shaft – Includes:	1
2	NSS	Seal, Shaft	1
3	17-56027-00	Ring, Carbon	1
4	NSS	Ring, Wear (Silicone Carbide)	1
5	KK-71GW-015	O-Ring	1
6	17-44713-00	Gasket, Seal Plate (Shaft)	1
7	NSS	Plate, Seal (Shaft)	1
NS	17-10301-10	Felt Ring	1
8	17-40077-05	Screw, Hex Head 5/16-18 x 0.75" lg – SAE Grade 8	6

05K

8. VALVE PLATE ASSEMBLY



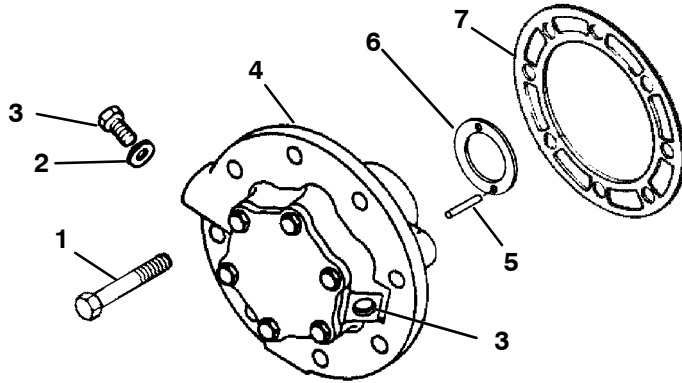
05K

ITEM	PART NO.	DESCRIPTION	QTY
8. VALVE PLATE ASSEMBLY			
1*	17-44104-00	Valve Plate (Canted Narrow Seat, Side Bank with hot gas bypass unloader) – Includes:	1
1*	17-44105-00	Valve Plate (Canted Narrow Seat, Center or Side with suction cutoff unloader or No unloader) – Includes:	1
1*	17-44106-00	Valve Plate (Flat, Side Bank with hot gas bypass unloader) – Includes:	1
1*	17-44107-00	Valve Plate (Flat, Center & Side with suction cutoff unloader) – Includes:	1
1*	17-44099-00	Valve Plate (Flat, Side Bank with No Unloader) – Includes:	1
2	NSS	Valve Plate	1
3	17-40057-00	Dowel, Pin Suction Valve	4
4	17-40083-00	Spring, Suction Valve Position	2
5	17-44111-00	Valve, Suction (0.018) -- 05G and 05K	2
6	17-44007-06	Gasket, Valve Plate (05G)	1
6	17-55002-00	Gasket, Valve Plate (05K)	1
7	17-40086-00	Valve, Discharge	2
8	17-44160-00	Stop, Discharge Valve	2
9	17-10715-00	Lockwasher, 1/4	4
10	17-44113-00	Capscrew, Hex Head, 1/4-28 x 3/8l lg	4
11	17-44123-00	Gasket, Center Cylinder Head	1
12	17-44124-00	Gasket, Side Cylinder Head (No Unloader)	1
12A	17-44125-00	Gasket, Side Cylinder Head (Suction Cutoff Unloader)	1
12B	17-44126-00	Gasket, Side Cylinder Head (Standard Head, Hot Gas Bypass)	1
12C	17-44761-00	Gasket, Side Cylinder Head (Shaved Head, Hot Gas Bypass)	1
13	17-55012-00	Unloader Check Valve (Hot Gas Bypass Unloader) – Includes:	1
14	NSS	Lockwasher, #6	2
15	NSS	Screw, Round Phillips Head, #6-32 x 1/2l lg	2
16	NSS	Body Check Valve	1
17	17-40104-08	Piston, Check Valve	1
18	17-40104-09	Spring, Check Valve	1

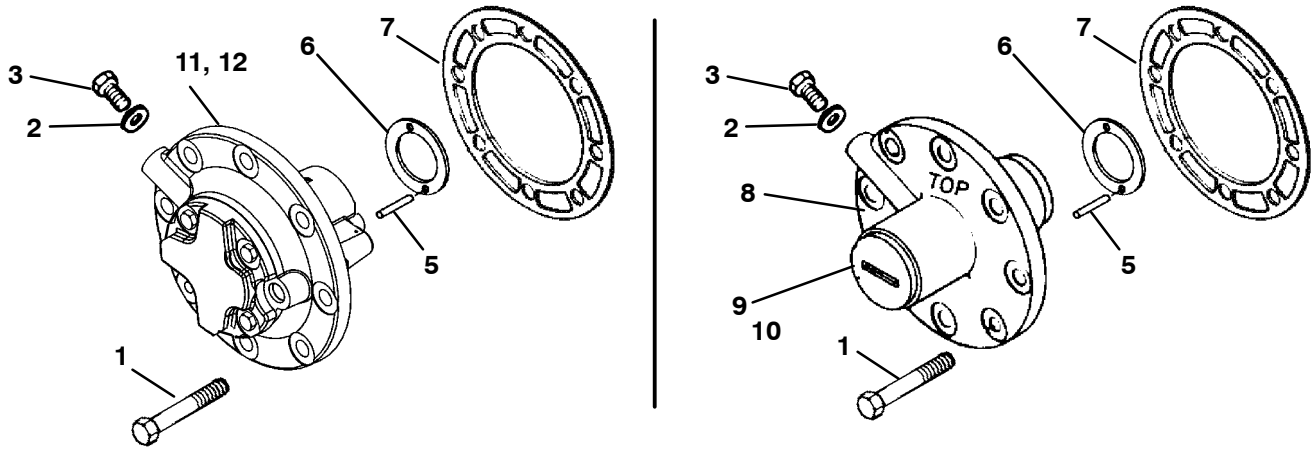
*Canted Valve Plates are for Refrigeration use. Flat Valve Plates are for Air Conditioning use.

05K

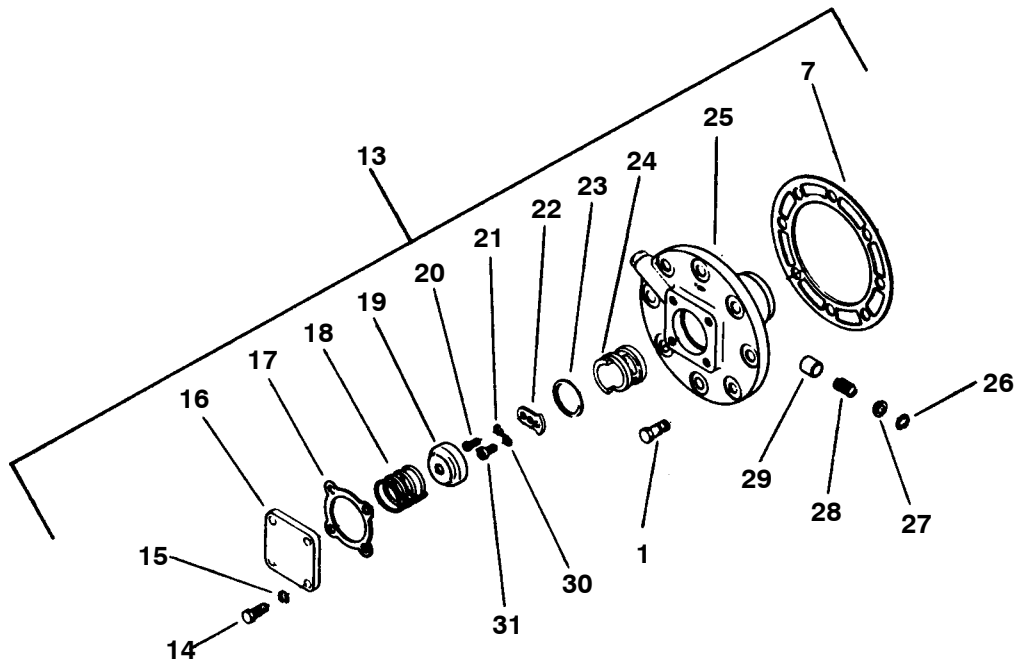
9. BEARING HEAD AND OIL PUMP



UNIVERSAL GEAR PUMP



GEAR PUMPS



VANE PUMP

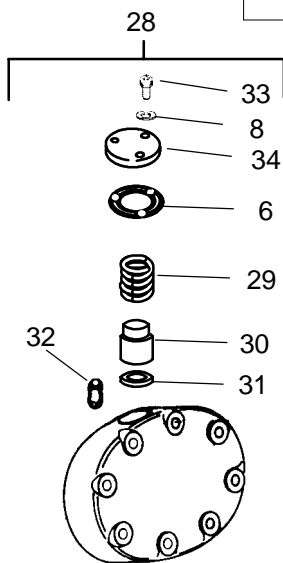
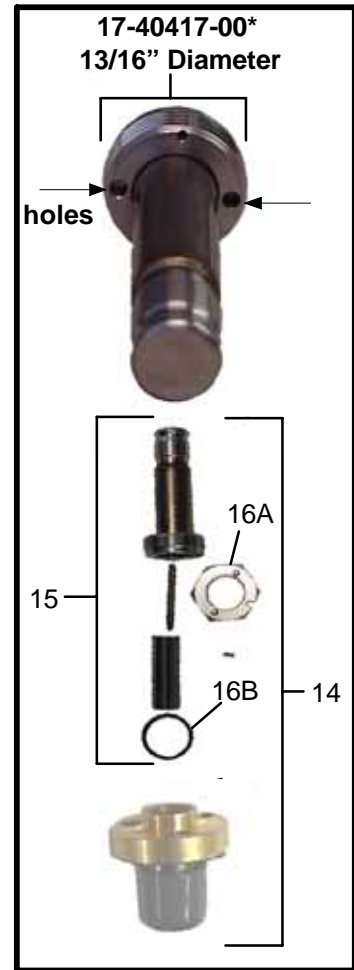
05K

ITEM	PART NO.	DESCRIPTION	QTY
9. BEARING HEAD AND OIL PUMP			
1	17-10308-00	Capscrew, Hex Head, 3/8-16 x 1-1/4" lg – SAE Grade 5	8
2	17-40019-00	Washer, Seal	1
2	42-00243-07	O-Ring, for 7/16-20 straight thread fittings	1
3	PL	Capscrew, 3/8-16 X3/4" lg	1
3	17-44037-00	Plug, with O-Ring 7/16-20	1
4	17-44137-00	Oil Pump and Bearing Head Assembly (Universal Gear Pump)	1
NS	17-44139-00	O-Ring, Pump cover plate	1
5	17-40204-00	Pin Roll, 1/8 dia X 1/2" lg	2
6	17-55009-01	Thrustwasher, Pump End	1
7	17-40078-05	Gasket, Bearing Head (Fiber)	1
7	17-44022-00	Gasket, Bearing Head (Metal)	1
8	SEE NOTE	Oil Pump and Bearing Head Assembly (Gear Pump) – Includes:	1
9	17-44033-01	Cover Assembly, Screw – Includes:	1
10	17-44033-02	Gasket, O-Ring	1
11	SEE NOTE	Oil Pump and Bearing Head (Low Profile Gear Pump) – Includes:	1
12	42-00045-01	O-Ring	1
13	17-44734-00	Oil Pump and Bearing Head Assembly (Vane Pump) – Includes:	1
7	17-40078-05	Gasket, Bearing Head	1
14	17-40077-05	Capscrew, Hex Head, 5/16-18 x 3/4" lg – SAE Grade 8	4
15	17-40013-00	Gasket, Capscrew, 5/16	4
16	17-40076-00	Cover, Oil Pump	1
17	17-40075-05	Gasket, Oil Pump Cover	1
18	17-40069-00	Spring, Oil Feed Vane	1
19	17-40070-00	Guide, Oil Feed Vane	1
20	17-40072-00	Capscrew, Socket Head, #10-32 x 1/2" lg – SAE Grade B7	1
21	17-40073-00	Lockwasher, #10	1
22	17-44710-00	Drive Segment, Oil Pump	1
23	17-40068-00	Retaining Ring, Rotor	1
24	17-40067-00	Pump, Rotor	1
25	NSS	Head (Includes Bearing)	1
26	17-40066-00	Ring, Plunger Retaining	2
27	17-40065-00	Guide Plunger Vane Spring	2
28	17-40064-00	Spring Plunger	2
29	17-40063-00	Vane, Pump	2
30	17-10715-00	Lockwasher, 1/4	1
31	17-40074-01	Capscrew, Socket Head, 1/4-28 x 5/8" lg – SAE Grade B7	1

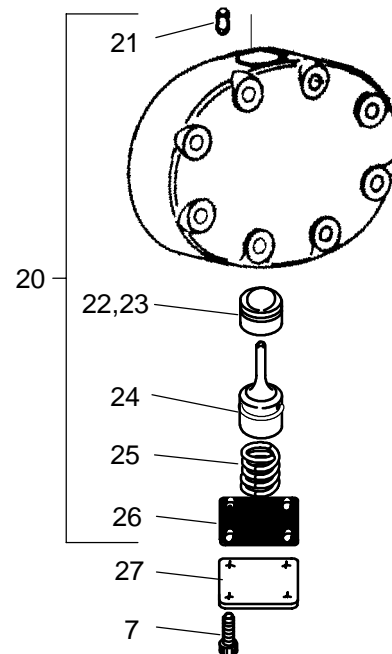
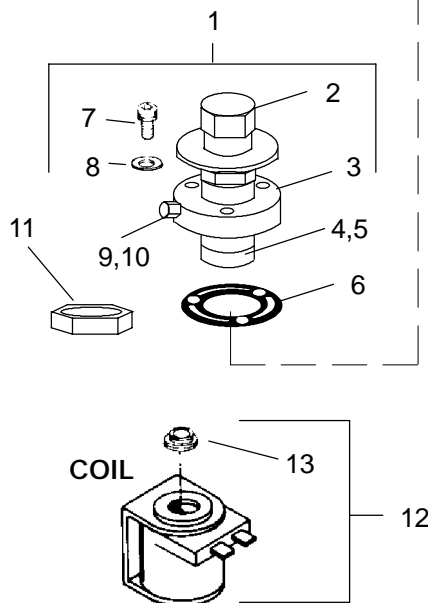
NOTE: 17-44033-10 and 17-44714-00 Oil Pump and Bearing Head Assemblies (Gear Pump) are **No Longer Offered use Item 4**

05K

10. UNLOADERS



PLUG -- HOT GAS BYPASS



*** NOTE:** If Unloader 17-40415-00 OR 17-40407-20 needs stem repair, Unloader 17-40417-00 is to be substituted, entirely.
17-40417-00 Replaces all previous unloaders.

05K

10. UNLOADERS

Item	Part Number	Description	Qty
1	17-55018-01	Valve Assembly (Pressure) - Includes:	A/R
2	NSS	Power Assembly, Unloader (Suction Pressure Activated)	1
3	NSS	Body Assembly, Valve	1
4	17-40409-00	Piston (For Hot Gas Bypass Unloaders) - Includes:	1
5	17-55010-00	Ring, Piston	1
6	17-40104-07	Gasket, Unloader Valve	1
7	17-40111-00	Screw, Socket Head, 1/4-28 x 3/4 Inch Long	1
8	17-40104-20	Gasket, Socket Head Screw, 1/4 Inch	1
9	17-55028-00	Cap, Adjustment Screw	1
10	42-50019-00	O-Ring, Adjustment Screw Cap	1
11	34-01139-00	Nut, Unloader Adjuster Lock	1
12	22-02567-00	Coil, Valve, 12 VDC with Spade Terminal - Includes:	A/R
	14-00143-07	Coil, Valve, 12 VDC with 6 inch wire leads - Includes:	A/R
	22-50030-00	Coil, Valve, 24 VDC with 42 inch wire leads - Includes:	A/R
	22-02567-01	Coil, Valve, 24 VAC with Spade Terminal - Includes:	A/R
	16-00149-00	Coil, Valve, 115 VAC with 42 inch wire leads - Includes:	A/R
	17-10829-00	Coil, Valve, 230 VAC with 42 inch wire leads - Includes:	A/R
13	17-40408-02	Cap, Snap	1
14	17-40417-00	Valve Assembly (Electric) - Includes:	A/R
3	NSS	Body Assembly, Valve	1
4	17-40409-00	Piston (For Hot Gas Bypass Unloaders) - Includes:	1
5	17-55010-00	Ring, Piston	1
6	17-40104-07	Gasket, Unloader Valve	1
7	17-40111-00	Screw, Socket Head, 1/4-28 x 3/4 Inch Long	1
8	17-40104-20	Gasket, Socket Head Screw, 1/4 Inch	1
15	17-40418-00	Kit, Valve Stem Repair (For 17-40417-00) - Includes:	1
16A	NSS	Tool, Installation Remover (13/16 Inch Nut)	1
16B	42-00243-03	O-Ring	1
17	16-00143-01	Kit, Valve Stem Repair (For 17-40407-20- NLO) - Includes:	1
18	NSS	Tool, Installation Remover (1 Inch Nut)	1
19	17-55022-00	O-Ring	1
20	17-21055-00	Kit, Repair (For Suction Cutoff Unloaders) - Includes:	2
21	17-40108-00	Strainer	1
22	17-21047-00	Ring, Piston	1
23	NSS	Piston	1
24	NSS	Body, Valve	1
25	17-21044-00	Spring, Compression	1
26	17-21046-00	Gasket, Valve Cover	1
27	17-21045-00	Cover, Valve	1
7	17-40111-00	Screw, Socket Head, 1/4-28 x 3/4 Inch Long	4
28	17-55013-00	Kit, Plug (Hot Gas Bypass To Fully Loaded) - Includes:	A/R
29	NSS	Spring	1
30	NSS	Plug	1
31	17-55014-00	Ring, Seat	1
6	17-40104-07	Gasket, Unloader Valve	1
8	17-40104-20	Gasket, Socket Head Screw, 1/4 Inch	3
32	17-40108-00	Strainer	1
33	17-10721-00	Capscrew, Socket 1/4-28 X 1.00" Long	3
34	NSS	Plate, cover	1

**NOTE: Unloader Assemblies 17--40407--20 and 17--404015 are no longer offered.
Use Unloader Assembly 17--40417--00.**

05K

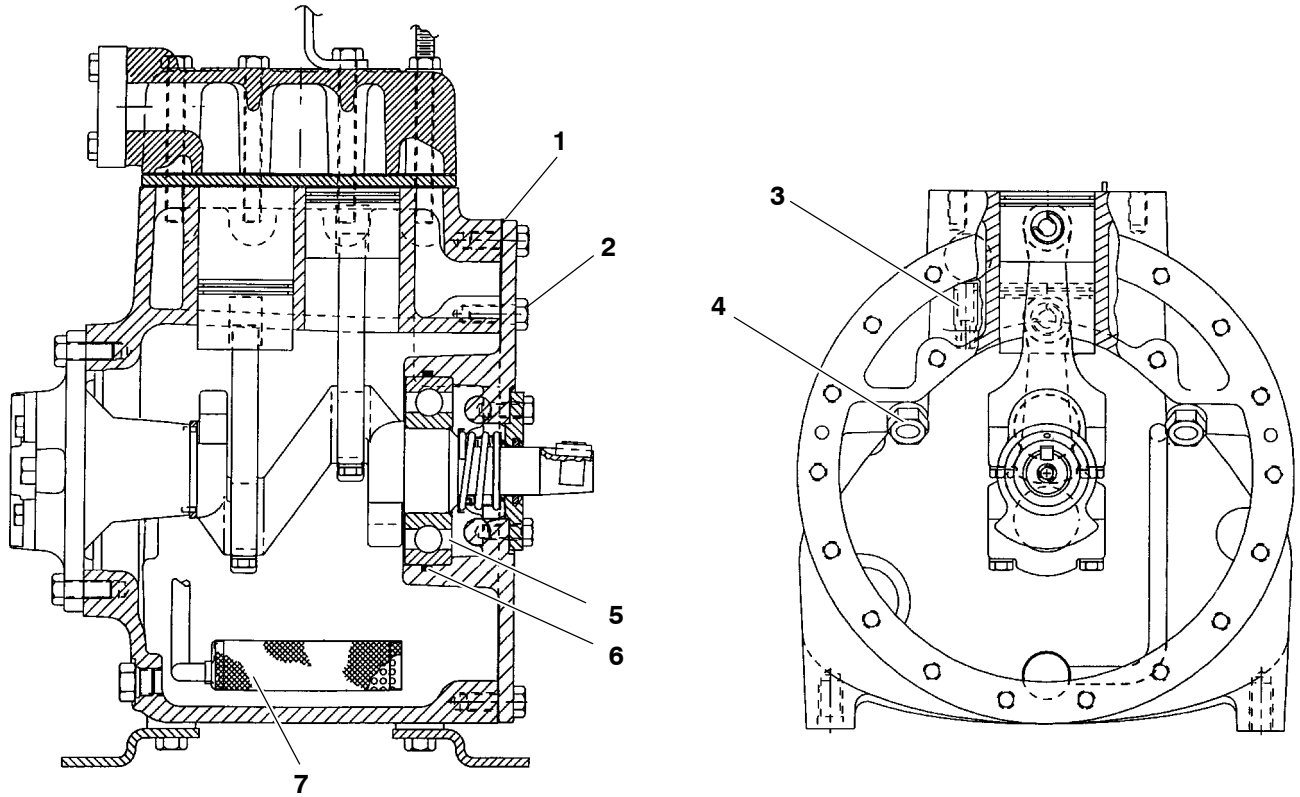
ITEM	PART NO.	DESCRIPTION	QTY
11. CRANKSHAFT, ROD AND PISTON			
Contoured Head Pistons are for Refrigeration use. Flat Top Pistons are for Air Conditioning use.			
1	17-44715-00	Piston & Pin (Standard – Flat Top) – Includes:	A/R
1	17-44715-02	Piston & Pin (.020 Over – Flat Top) – Includes:	A/R
*1A	17-44727-00	Piston & Pin (Standard–Contoured Head) – Includes:	A/R
*1A	17-44727-02	Piston & Pin (.020 Over–Contoured Head) – Includes:	A/R
2	17-44703-00	Retainer, Piston Pin	1
3	17-44702-00	Pin, Piston	1
4	NSS	Piston	1
5	17-40055-00	Ring, Compression (Standard)	A/R
5	17-55025-00	Ring, Compression (.020" Oversize)	A/R
6	17-44719-00	Key, Crankshaft	1
7	17-44704-00	Connecting Rod & Cap (2 Cylinder Standard) – Includes:	A/R
7	17-40056-02	Connecting Rod & Cap (4 Cylinder Standard) – Includes:	4
7	17-55023-00	Connecting Rod & Cap (4 Cylinder .010) – Includes:	A/R
NS	17-40057-00	Pin, Dowel	2
8	17-55008-00	Capscrew (Special)	2
9	17-44728-01	Crankshaft (2 Cylinder – Vane Pump)	1
9	17-44724-00	Crankshaft (2 Cylinder – Gear & Low Profile Pumps)	1
9	17-44729-10	Crankshaft (4 Cylinder – Vane Pump)	1
9	17-44725-00	Crankshaft (4 Cylinder – Gear & Low Profile Pumps)	1
10	17-55009-01	Thrustwasher, Pump End	1

* For Refrigeration Use Only

05K

ITEM	PART NO.	DESCRIPTION	QTY
------	----------	-------------	-----

12. CRANKCASE



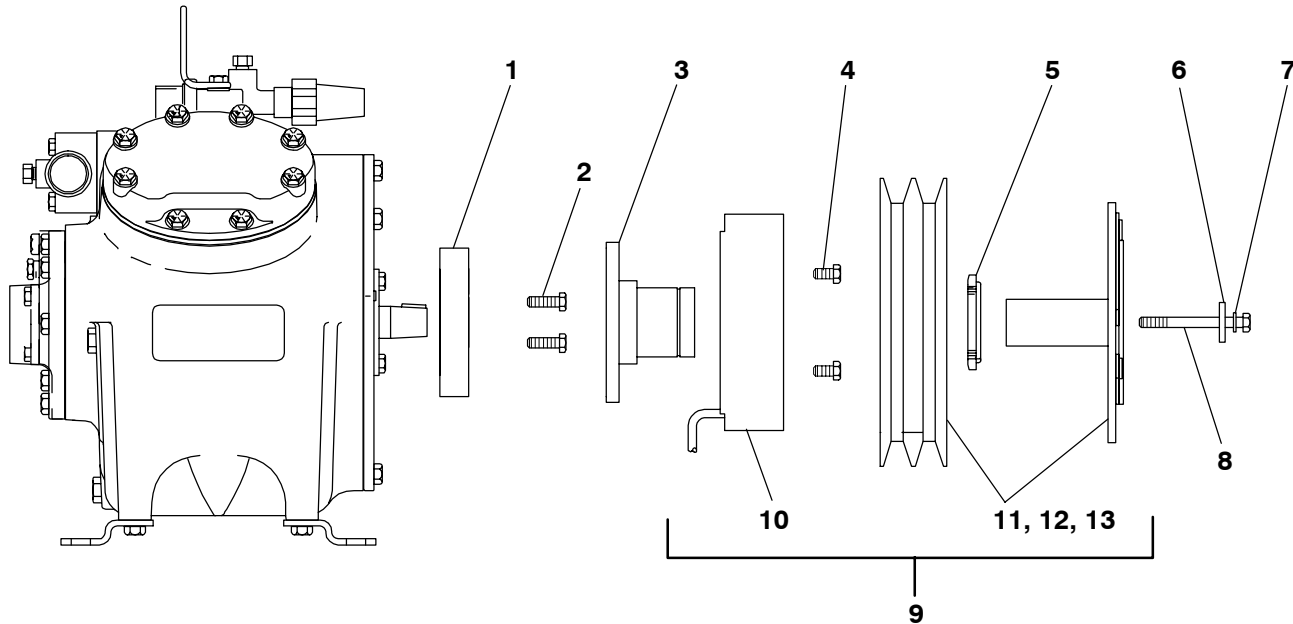
2 CYLINDER SHOWN

1	17-44023-00	Gasket, Front Cover 2 Cylinder	1
1	17-44024-00	Gasket, Front Cover 4 Cylinder	1
2	17-40034-05	Capscrew, Hex Head, 3/8-16 x 1" lg	24
3	17-44723-00	Valve, Oil Relief	1
4	17-40042-00	Valve, Oil Return	2
5	17-44722-00	Bearing, Main Seal End	1
6	17-44712-00	O-Ring	1
7	17-44717-00	Screen, Oil Filter 2 Cylinder	1
7	17-44718-00	Screen, Oil Filter 4 Cylinder	1

05K

ITEM	PART NO.	DESCRIPTION	QTY
------	----------	-------------	-----

13. CLUTCH ASSEMBLY (BUS & RAIL)



1	68PD1-1003	Adapter	1
2	34-00615-08	Capscrew, Hex Head 5/16-18 X 1" lg	4
3	68PD1-1013	Hub, Clutch Mounting	1
4	PL	Capscrew, Hex Head 5/16-18 X 5/8" lg	6
5	34-06083-00	Nut, Lock	1
6	68G2-9082-1	Washer, Special	1
7	PL	Washer, Lock	1
8	PL	Capscrew, Hex Head 5/16-18 X 3 1/4 lg	1
9	50-01122-13	Clutch, Assembly 24 vdc, 2B Grooves – Includes:	1
9	50-01122-15	Clutch, Assembly 12 vdc, 2B Grooves – Includes:	1
9	50-01122-21	Clutch, Assembly 24 vdc, 2B-2A Grooves – Includes:	1
9	50-01122-23	Clutch, Assembly 24 vdc, 2AB-2B Grooves – Includes:	1
10	50-01122-41	Coil, 12 vdc	1
10	50-01122-50	Coil, 24 vdc	1
11	50-01122-92	Rotor, 2B Grooves – Includes:	1
11	50-01122-99	Rotor, 2B-2A Grooves – Includes:	1
11	50-01122-500	Rotor, 2AB-2B Grooves – Includes:	1
12	34-01186-00	Ring, Snap	1
13	04-00130-00	Bearing	1
} WARNER			
9	50-01130-27	Clutch, Assembly 24 vdc, 2B-2A Grooves – Includes:	1
10	50-50040-00	Coil, 24 vdc	1
12	50-50040-05	Ring, Snap	1
13	50-50040-04	Bearing	1
} LINNIG			

14. PRESSURE SWITCHES (BUS & RAIL)

NS	12-00299-00	Switch, High Pressure – R-22	1
NS	12-00299-07	Switch, High Pressure – R-134a	1
NS	12-00299-01	Switch, Low Pressure – R-22 & R-134a	1
NS	12-00334-01	Switch, Pressure (Unloader Sw. #1) – R-22	1
NS	12-00334-03	Switch, Pressure (Unloader Sw. #1) – R-134a	1